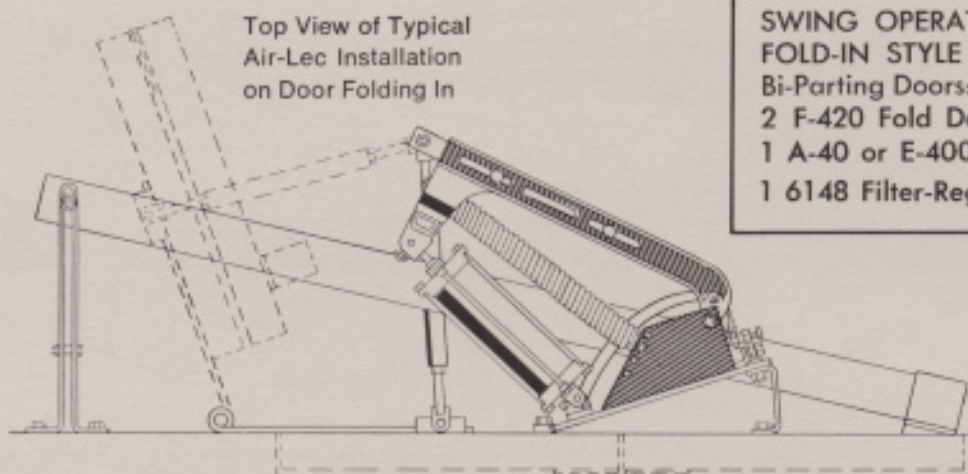


Models	DIAMETER & STROKE	DOOR SIZE RANGE	DOOR WEIGHT RANGE
S 320 or F 320	3" x 9"	Under 5' Wide	Under 500 Lbs.
S 420 or F 420	4" x 9"	Over 5' Wide	Over 500 Lbs.
DIAMETER	Air requirements for complete cycle — open and close* (in cu ft free air)		
	80 psi	100 psi	120 psi
3"	.30	.36	.43
4"	.54	.66	.77
Swing Models	Fold Models	Bracket For Over 100° Swing #SW-100 Side Wall Mounting Accessories #SW-180	
S 320 — In Swing	F 320 — In Fold		
S 420 — In Swing	F 420 — In Fold		
S 320X — Out Swing			
S 420X — Out Swing			



Top View of Typical
Air-Lec Installation
on Door Folding In

TYPICAL REQUIREMENTS

SWING OPERATORS: FOLD-IN STYLE

- Bi-Parting Doors: Over 500 lbs. each
- 2 F-420 Fold Door Operators
- 1 A-40 or E-400 Pull-Cord Control Kit
- 1 6148 Filter-Regulator Kit



AIR-LEC Industries, Inc.

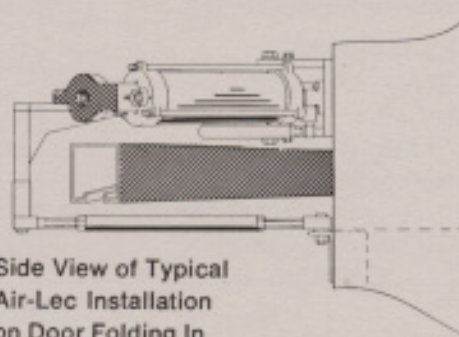
3300 Commercial Ave.
Madison, Wisconsin 53714

Phone: (608) 244-4754

Fax: (608) 246-7676

Website: www.air-lec.com

E-mail: info@air-lec.com



Side View of Typical
Air-Lec Installation
on Door Folding In